
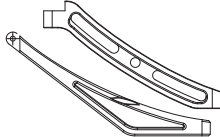
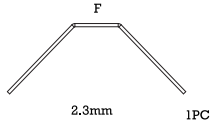
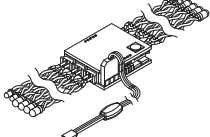
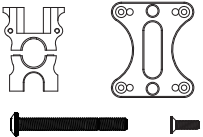
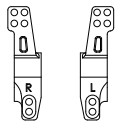
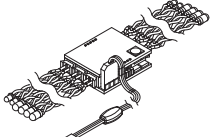
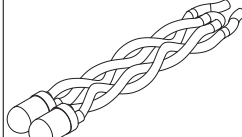

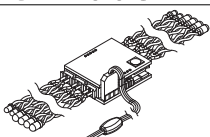
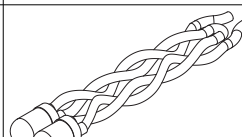
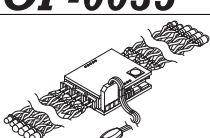

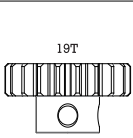
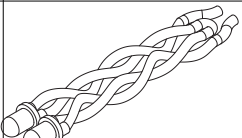
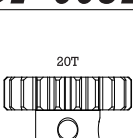
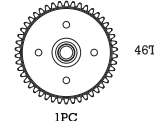
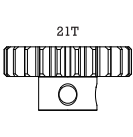
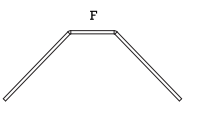
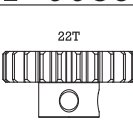
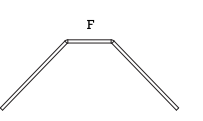
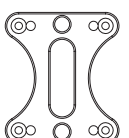
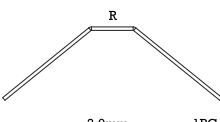
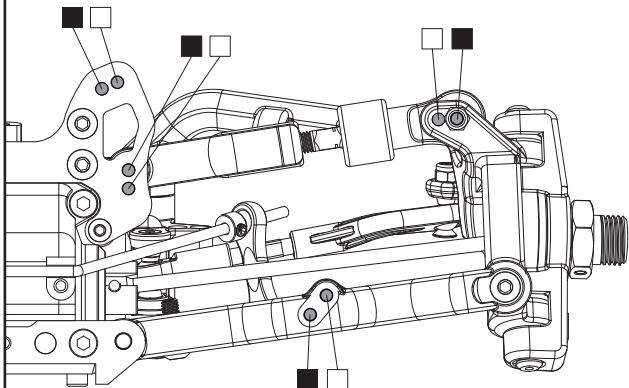
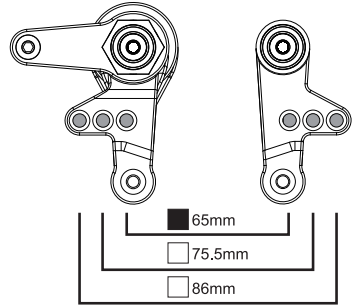
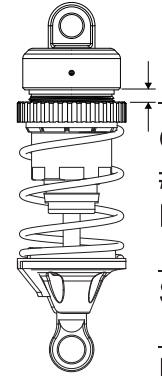
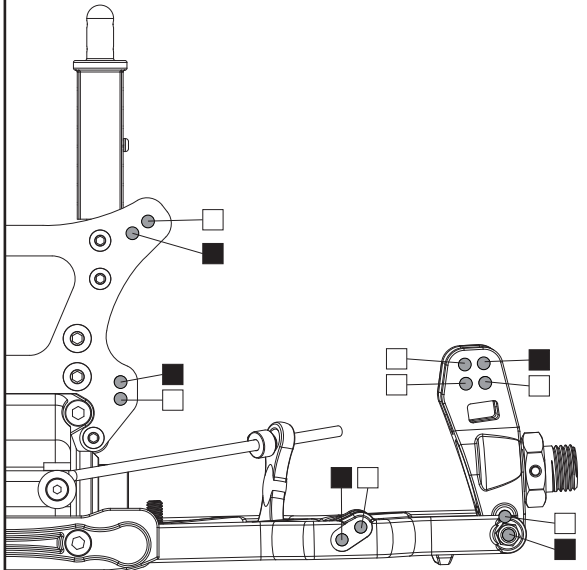
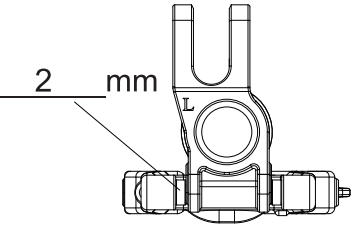
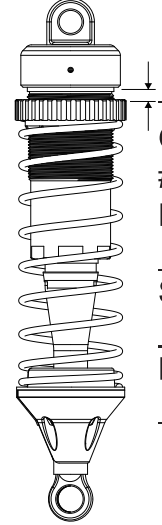


OP-0030 	OP-0050 	87356 			
OP-0032 	OP-0052 	89147 			
OP-0033 	OP-0053 	89635 			
OP-0034 	OP-0054 				
OP-0035 	OP-0055 				
OP-0036 	OP-0056 				
OP-0037 	87005 				
OP-0038 	87329 				
OP-0039 	87329-2 				
OP-0049 	87329-3 				

Driver : _____ Track : _____ Event : _____
 Date : _____ Track Condition : _____

Front Suspension 	Ackerman 	Front Shock 															
	Toe: _____ 1 ° Caster: _____ 20 ° Camber: _____ -2 ° Anti-roll bar: _____ 2.5 mm Ride height: _____ 20 mm Droop: _____ mm	Oil: _____ 8 mm # _____ 300 Piston: _____ 17 mm Spring: _____ 1.9 Length: _____ 79 mm															
Rear Suspension 	Wheelbase 	Rear Shock 															
	Toe: _____ -3 ° Camber: _____ -2 ° Anti-roll bar: _____ 2.8 mm Ride height: _____ 20 mm Droop: _____ mm Anti-squat: <input type="checkbox"/> 1° <input checked="" type="checkbox"/> 2° <input type="checkbox"/> 3°	Oil: _____ 2 mm # _____ 300 Piston: _____ 17 mm Spring: _____ 2 Length: _____ 115 mm															
Power Motor: _____ ESC: _____ Pinion: _____ Spur: _____ Battery: _____	Tires <table border="1"> <thead> <tr> <th></th> <th>Front</th> <th>Rear</th> </tr> </thead> <tbody> <tr> <td>Brand:</td> <td>_____</td> <td>_____</td> </tr> <tr> <td>Compound:</td> <td>_____</td> <td>_____</td> </tr> <tr> <td>Insert:</td> <td>_____</td> <td>_____</td> </tr> <tr> <td>Wheel:</td> <td>_____</td> <td>_____</td> </tr> </tbody> </table>		Front	Rear	Brand:	_____	_____	Compound:	_____	_____	Insert:	_____	_____	Wheel:	_____	_____	Differentials Front: # _____ <input type="checkbox"/> Standard <input type="checkbox"/> Spider Center: # _____ <input type="checkbox"/> Standard <input type="checkbox"/> Spider Rear: # _____ <input type="checkbox"/> Standard <input type="checkbox"/> Spider
	Front	Rear															
Brand:	_____	_____															
Compound:	_____	_____															
Insert:	_____	_____															
Wheel:	_____	_____															
ESC Setup Brake: _____ Drag Brake: _____ Cut-off Volt.: _____ Punch: _____ Timing: _____ Throttle Limit: _____	Notes _____ _____ _____ _____ _____																